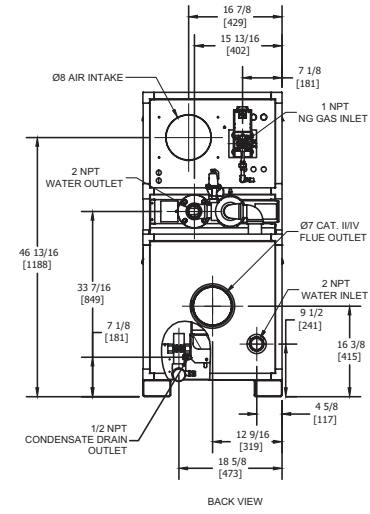
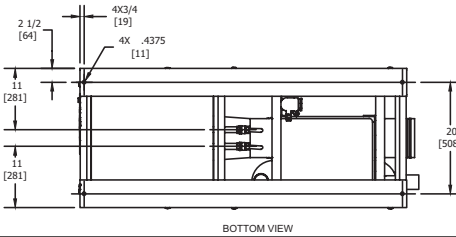
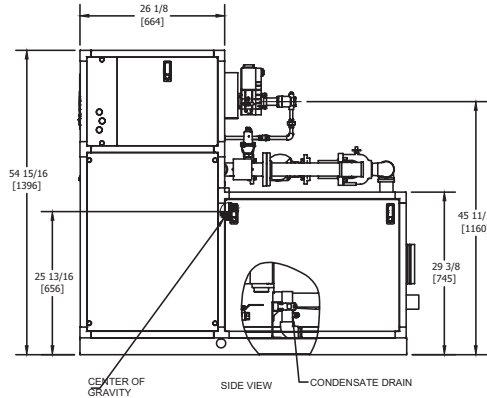
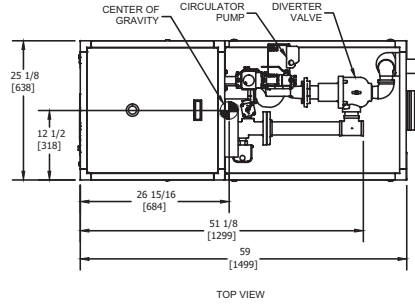


# INDOOR UNIT

## CODE OPTIONS

**CSD-1** Manual Reset LWCO



- Notes:**
1. Dimensions are approximate and should not be used to "rough-in" equipment.
  2. Dimensions are subject to change without notice.

## BOILER CERTIFIED RATINGS & CAPACITIES

<b>Fuel Type</b>	Natural/Propane Gas	<b>Total FLA</b>	9.2*
<b>Input BTU/hr.</b>	750,000 / 220 kW	<b>Min. Gas Pressure Required</b>	2" W.C.**
<b>Output BTU/hr.</b>	713,250 / 209 kW	<b>Max. Gas Pressure Allowed</b>	14" W.C.
<b>Electrical Requirements</b>	(L1, NEU, GND) 120 VAC / 1 ph / 60 hz	<b>Operating Weight</b>	793 lbs. / 360 kg.

## BOILER TEMPERATURE RISE / PRESSURE DROP

20°F / 11.1°C				25°F / 13.9°C			
Flow Rate***	Total Loss****	Flow Rate***	Total Loss****	Flow Rate***	Total Loss****	Flow Rate***	Total Loss****
GPM	L/s	Ft	kPa	GPM	L/s	Ft	kPa
65.3	4.1	10.5	31.4	52.2	3.3	7.7	23.0

\*\*\* Primary heat exchanger.  
\*\*\*\* Includes primary, secondary, mixing valve and piping.

## BOILER / WATER HEATER TRIM & CONTROLS

<b>Main Gas Valve</b>	Dungs MBC-SE	<b>Air Switch</b>	Cleveland NS2
<b>Firing Valve</b>	1"	<b>Blower Motor</b>	Fasco 1/2 hp
<b>Ignition Control</b>	Honeywell RM7895C	<b>Relief Valve - CW</b>	3/4" x 3/4" set @ 125 psi
<b>Operating Control</b>	HeatNet®	<b>Relief Valve - CB</b>	3/4" x 3/4" set @ 50 psi
<b>High Limit</b>	Jumo	<b>Flow Switch</b>	TACO
<b>Main Ball Valve</b>	1"	<b>Pilot Regulator</b>	White-Rodgers 25m
<b>Economizer</b>	RBI-1000	<b>Circulator</b>	B&G PL-130 - FLA - 5
<b>Mixing Valve</b>	2"	<b>By-Pass Piping</b>	2"

## WATER HEATER HOURLY RECOVERY CAPACITY (GPH & LPH)

40°F	22°C	60°F	33°C	80°F	44°C	100°F	56°C	120°F	67°C	140°F	78°C
2,168	8,194	1,445	5,462	1,084	4,097	867	3,277	723	2,731	619	2,341

## A.S.M.E.

<b>ASME Sect IV Htg Surface</b>	97.79 Sq. Ft. / 9.08 Sq. M.	<b>Design Data</b>	Max. 125 psig & 250°F
<b>Water Volume</b>	3.7 gal. / 14.01 Liters		
<b>Water Volume Secondary HX</b>	4.5 gal. / 17.03 Liters		

\* Includes pump  
\*\* For incoming gas pressures lower than 2" W.C. natural or propane, consult factory.

**REP FIRM** \_\_\_\_\_  
**SUBMITTED BY** \_\_\_\_\_  
**JOB NAME** \_\_\_\_\_  
**ARCHITECT** \_\_\_\_\_  
**ENGINEER** \_\_\_\_\_  
**CONTRACTOR** \_\_\_\_\_  
**DATE** \_\_\_\_\_

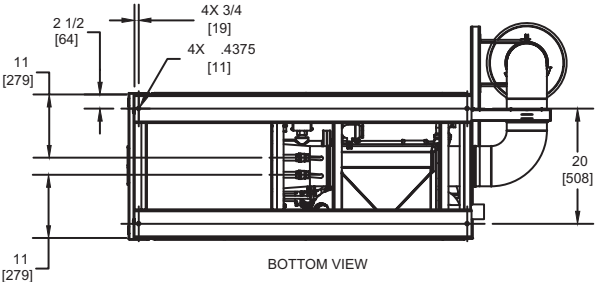
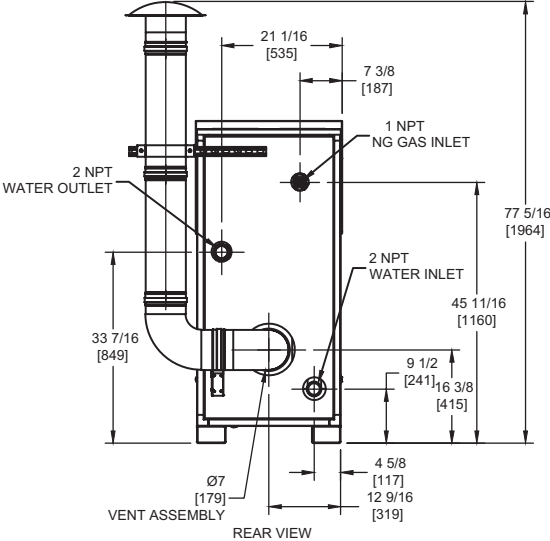
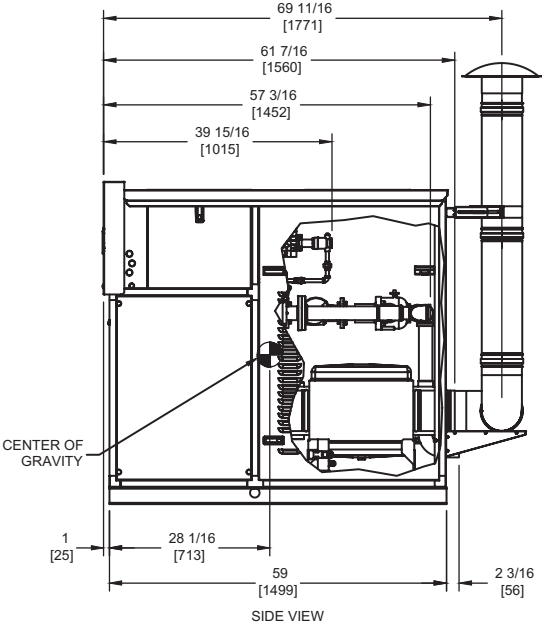
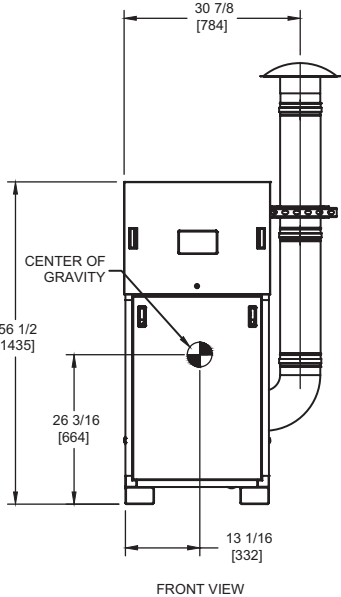
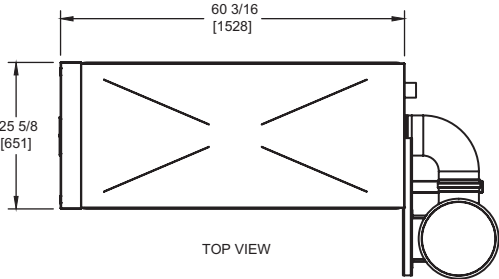
## FUTERA FUSION 750

**Category II or IV Appliance**  
(see Installation and Operation Manual for venting information)

A Division of Mestek, Inc.  
Westfield, MA 01085  
(413) 568-9571

RELIABLE. BOLD. INNOVATIVE.

# OUTDOOR UNIT



## FUTERA FUSION 750

- Notes:**
1. Dimensions are approximate and should not be used to "rough-in" equipment.
  2. Dimensions are subject to change without notice.